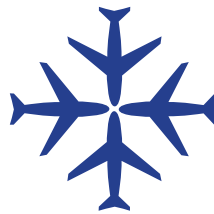


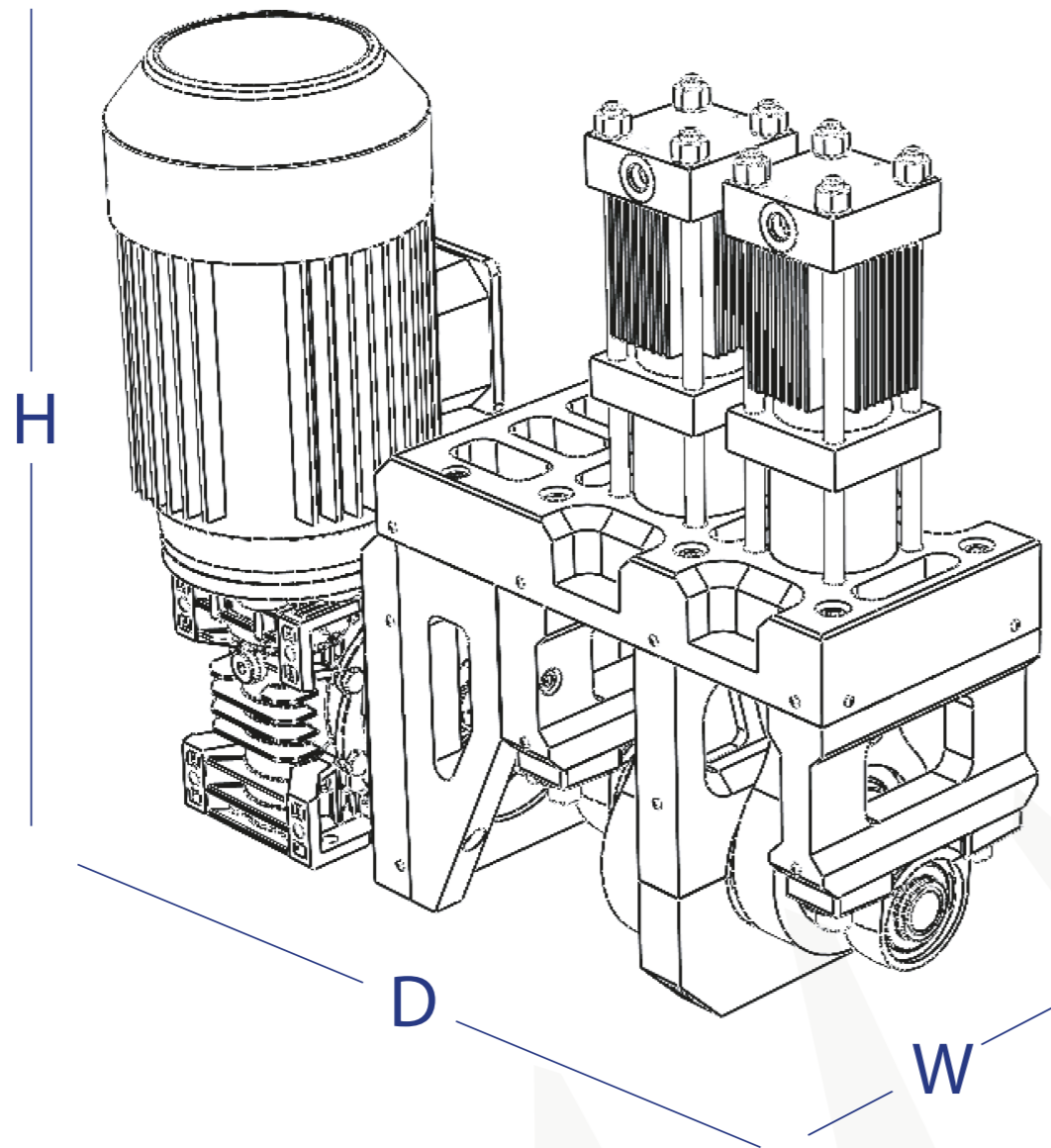
GAS BOOSTING SYSTEM



LOGOS
KİMYA TEKNOLOJİLERİ

Gas Boosting System

HC



SPECIFICATIONS

- 316 Stainless Steel Body
- No additional cleaning procedures required and does not cause contamination to the fluid that runs in the equipment DEF STAN 58/96-4

TECHNICAL SPECIFICATIONS

- Design Temperature: 0°C / +60°C
- Operating Temperature: 0°C / +50°C
- Inlet Pressure: 30-100 bar
- Outlet Pressure: 414 bar / 500 bar / 600 bar
- Contact us for the outlet pressure 690 bar and above
- Port Types: 1.4 Medium Pressure
- Contact us for other options

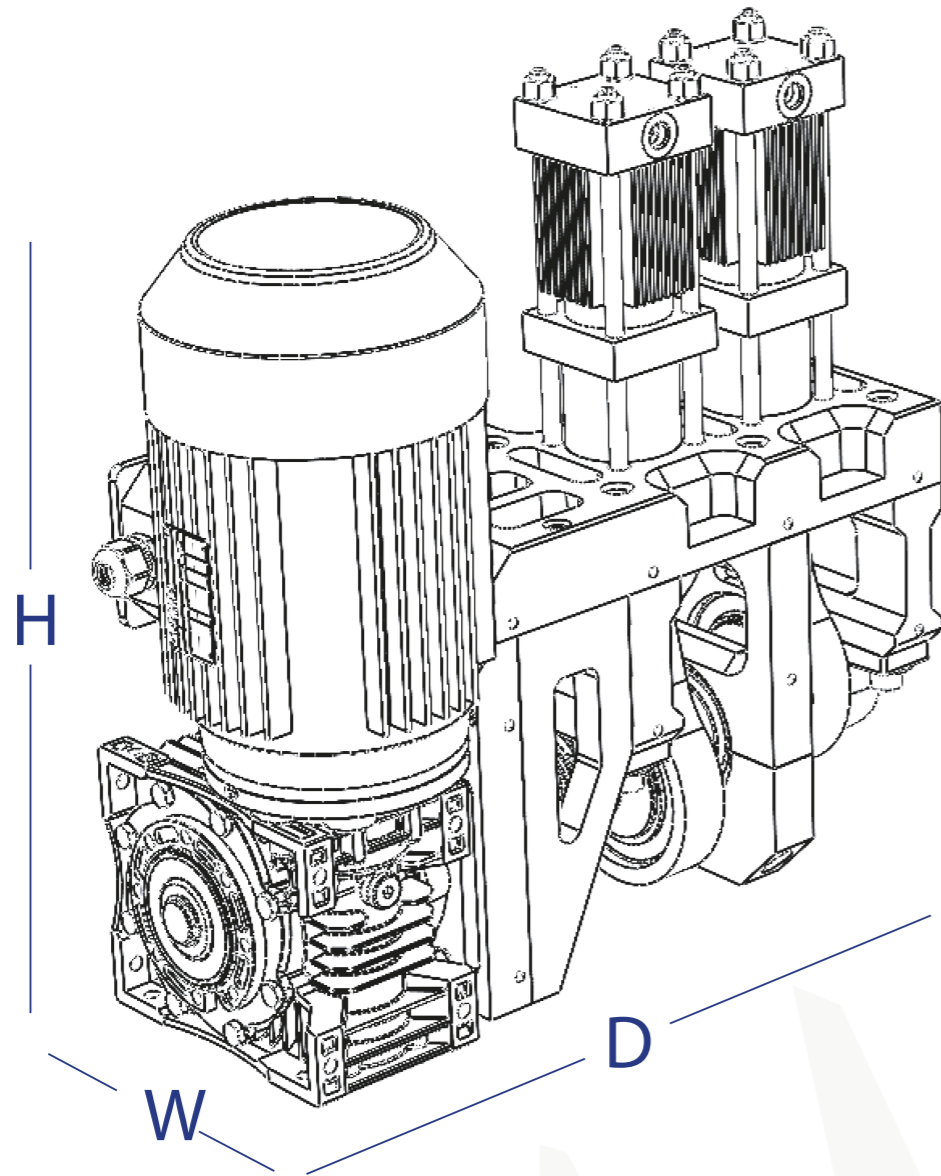
TECHNICAL SPECIFICATIONS

- Flow Capacity: 80 stL / min
- Raw Weight: 56 kg
- Dimensions: 600 mm L x 550 H x 280 D
- Voltage: 380 VAC / 4 kVA
- Operating Speed: 70 rpm



Gas Boosting System

LC

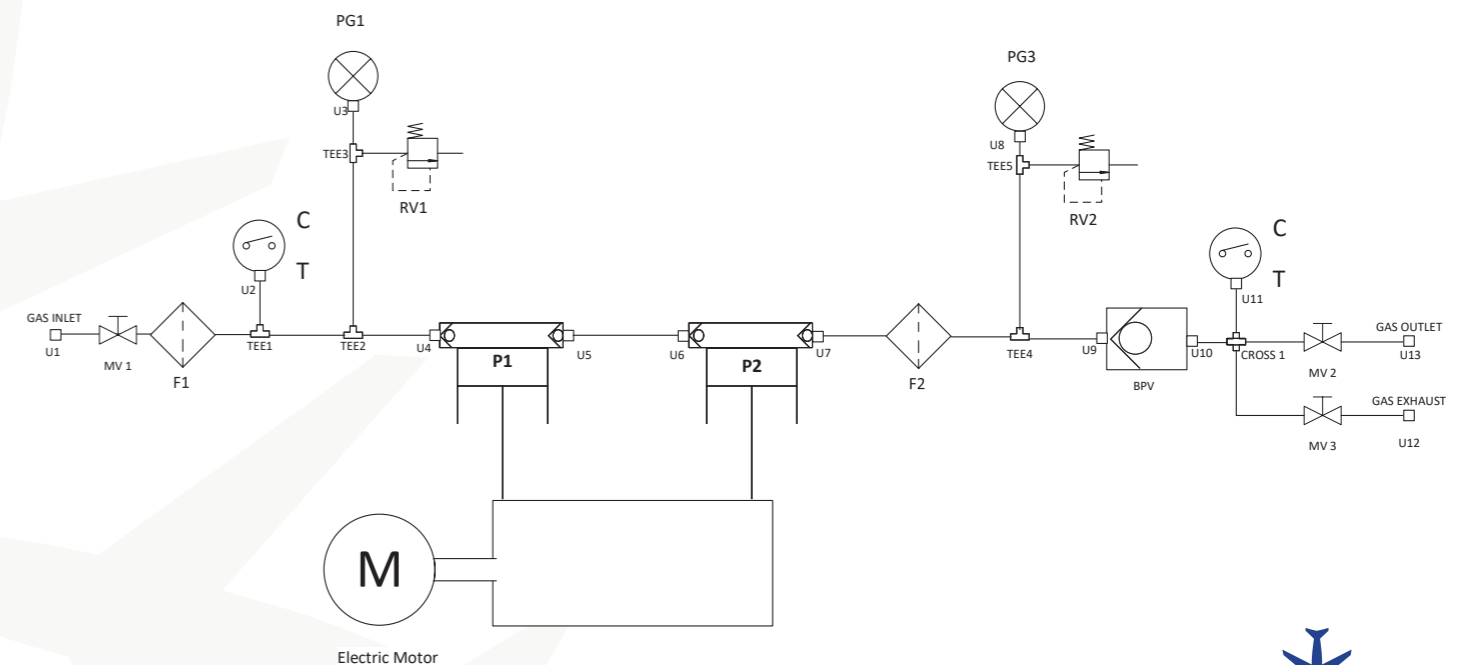


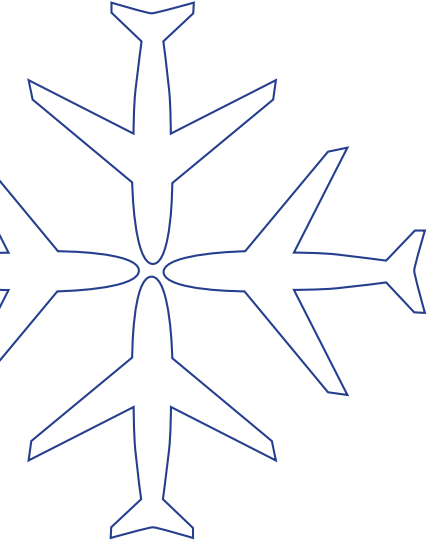
CONTROLS

Control Options

- Automatic High Pressure Limit Switch
- Manual Start & Stop Switch
- Safety Relief Valve
- Inlet & Outlet Pressure Gauges
- Hour Meter
- Cooling Fan
- Outlet Shutoff Valve
- Bleed Valve
- Weight After Standart Packing : 76 kg
- Dimension With Packing : 940 mm L x 600 H x 310 D
- DEF/STAN 58-96 cleanliness control with inner JT

Standart Packing P&ID





Contact us



Address

Logos Kimya Teknolojileri Sanayi ve Ticaret Ltd. Şti.
OSTİM Mah. 1151. Sk 1/64 Gül 86 Sitesi Yenimahalle ANKARA

Contact

Phone: +0(312) 385 20 82
Email: info@logoskimya.com
Web: logoskimya.com

